

Bain-marie on warming cabinet



CME 810 MCA. Bain-marie GN 2/1.



Designed to take 1 Gastronorm container for any composition of multiples to a maximum depth of 150 mm.

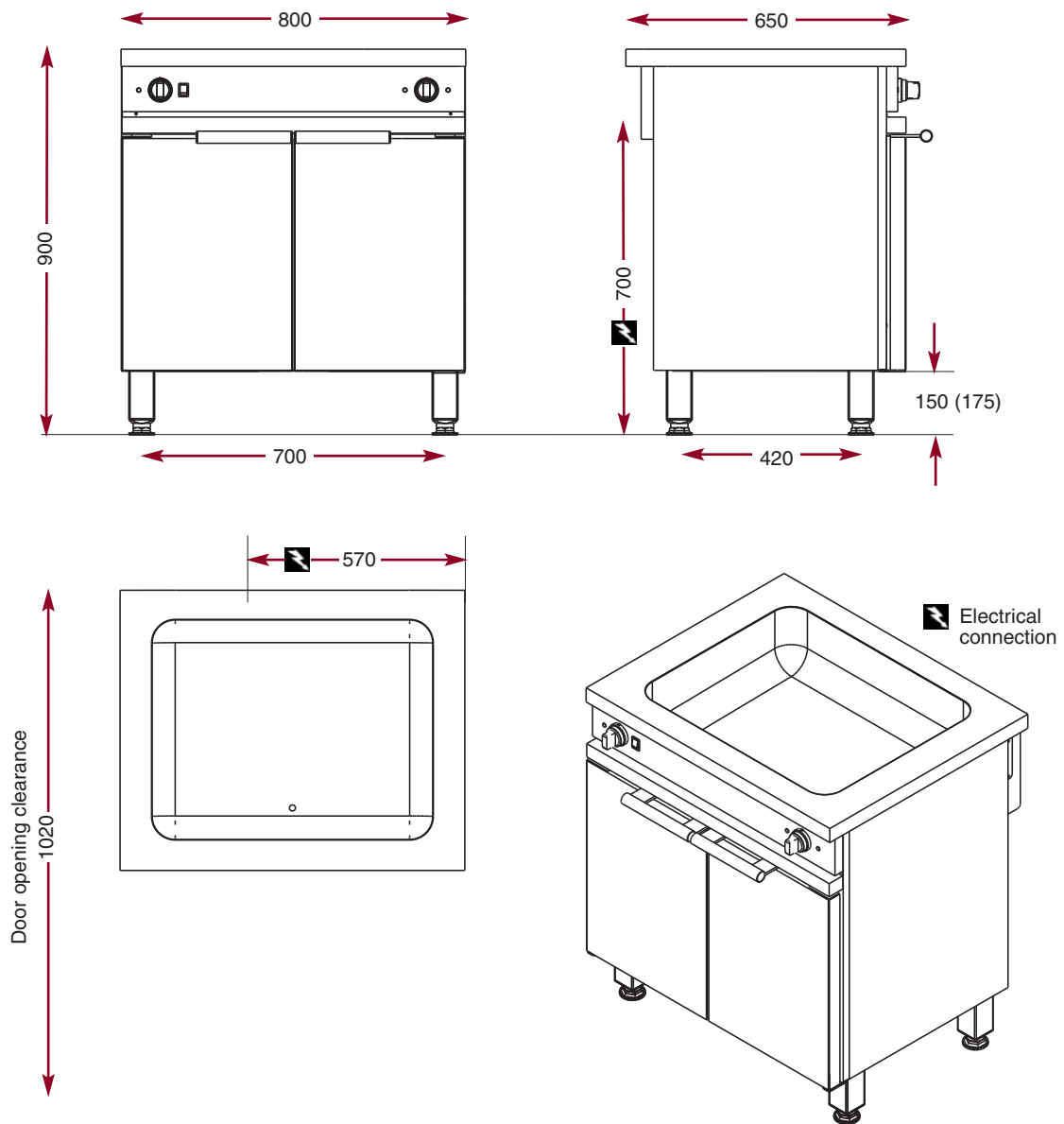
- 30/110°C thermostat.
- Stainless steel tank with rounded corners.
- Bottom metal grate.
- Drain valve.
- Warming cabinet GN 2/1.
- 4 levels.
- Total power: 3.9 kW.
- Oven doors with insulated inner doors.
- Supplied with 2 x GN 2/1 oven racks.

CME 810 MCA

W 800 - D 650 - H 900

Bain-marie GN 2/1

CME 810 MCA



The Chef's Choice.

N° 46 - 2